

Repair Parts for Use with V-3854 with Oval Top Actuator

Description

The available packing kits and spring kits can extend the service life of the V-3854 Series valves. No inner valve kits are available for this series of valves.

Selection Charts

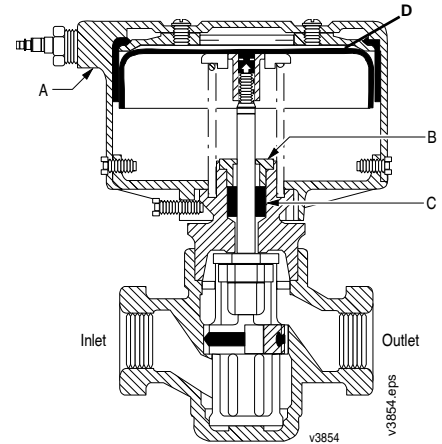
Repair Parts for Use with V-3854 with Oval Top Actuator

Code Number	Callout	Description
V-3802-1	A	Oval Actuator
V-3800-660	B	Packing Nut
V-9999-608	C	Ring Pack
V-9999-610		Single pack
V-9999-630		10 pack (contains enough material to repack 10 valves)
V-3100-611	D	Diaphragm

Spring Kits for Use with V-3854 with Oval Top Actuator

Valve	Valve Size, in.	Actuator Size	Spring Range, psig	Spring Kits ¹
V-3854	1/2	V-3802	3 to 6	V-3754-6012
			9 to 13	V-3754-6013

1. Spring kit includes upper spring seat, spring, stem extension, lock screw, and installation instructions.



Repair Parts,
 V-3854 with Oval Top Actuator